

PRODUCT INFORMATION PACKET

Model No: 056C17F5912
Catalog No: F132
1/2, 1725, TEFC, 56C, 1/60/115/208-230
Single Phase



Regal and Marathon are trademarks of Regal Beloit Corporation or one of its affiliated companies.
©2018 Regal Beloit Corporation, All Rights Reserved. MC017097E





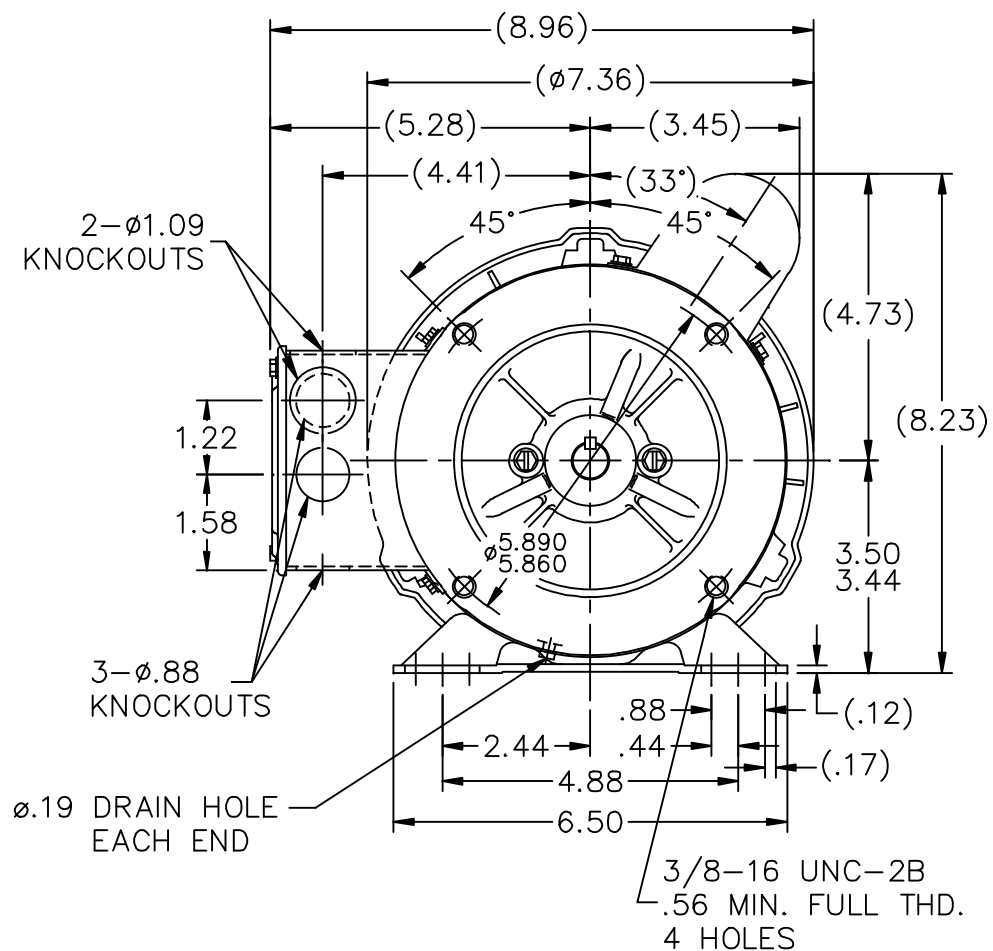
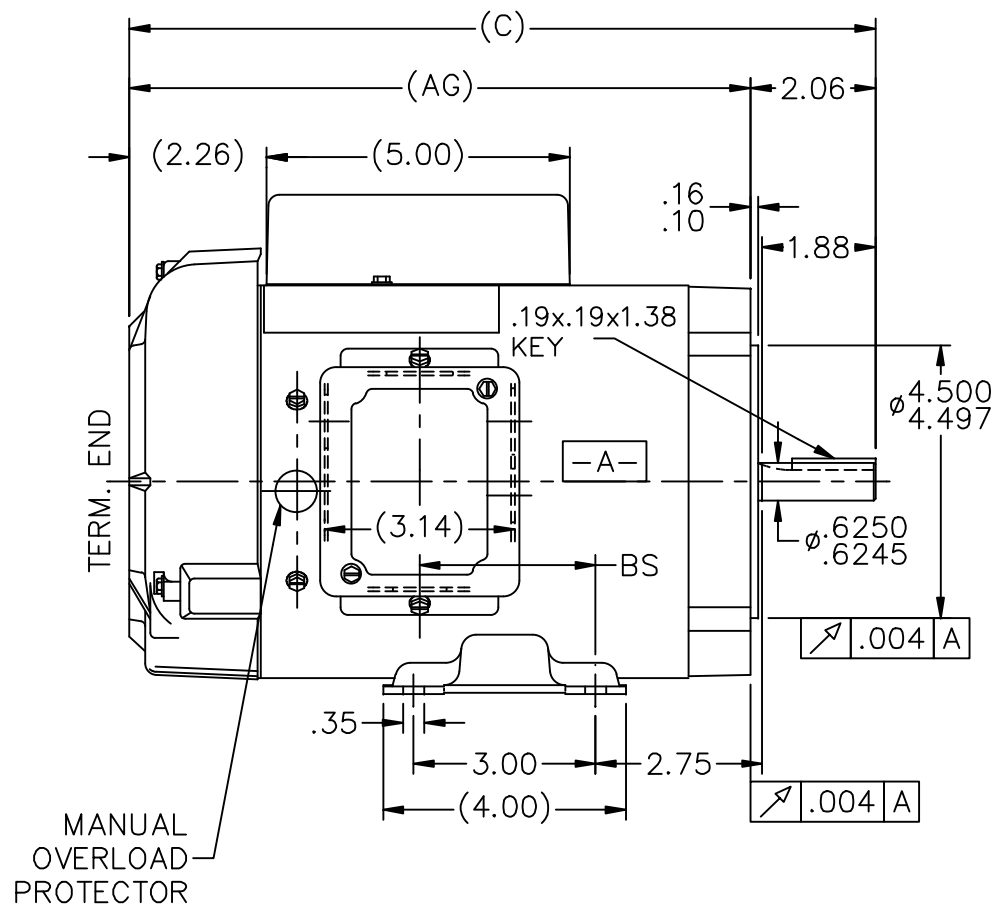
Nameplate Specifications

Output HP	0.50 Hp	Output KW	0.37 kW
Frequency	60 Hz	Voltage	115/208-230 V
Current	8.8/4.2-4.4 A	Speed	1725 rpm
Service Factor	1.15	Phase	1
Efficiency	66 %	Duty	Continuous
Insulation Class	B	Design Code	N
KVA Code	L	Frame	56C
Enclosure	Totally Enclosed Fan Cooled	Overload Protector	Manual
Ambient Temperature	40 °C	Drive End Bearing Size	6203
Opp Drive End Bearing Size	6203	UL	Recognized
CSA	Y	CE	Y
IP Code	43		

Technical Specifications

Electrical Type	Capacitor Start Induction Run	Starting Method	Across The Line
Poles	4	Rotation	Selective Counterclockwise
Mounting	Rigid base	Motor Orientation	Horizontal
Drive End Bearing	Ball	Opp Drive End Bearing	Ball
Frame Material	Rolled Steel	Shaft Type	NEMA 56
Overall Length	11.82 in	Frame Length	6.56 in
Shaft Diameter	0.625 in	Shaft Extension	2.06 in
Assembly/Box Mounting	F1 Only		
Outline Drawing	A-104462-656	Connection Diagram	102005-52

This is an uncontrolled document once printed or downloaded and is subject to change without notice. Date Created: 06/29/2018

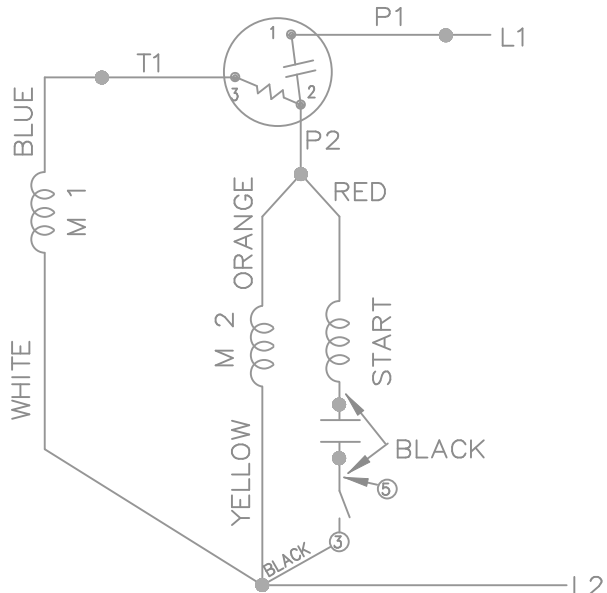


DASH	FRAME	C	AG	BS
656	56-65	11.82	9.75	2.40
706	56-70	12.32	10.25	2.90
756	56-75	12.82	10.75	3.40

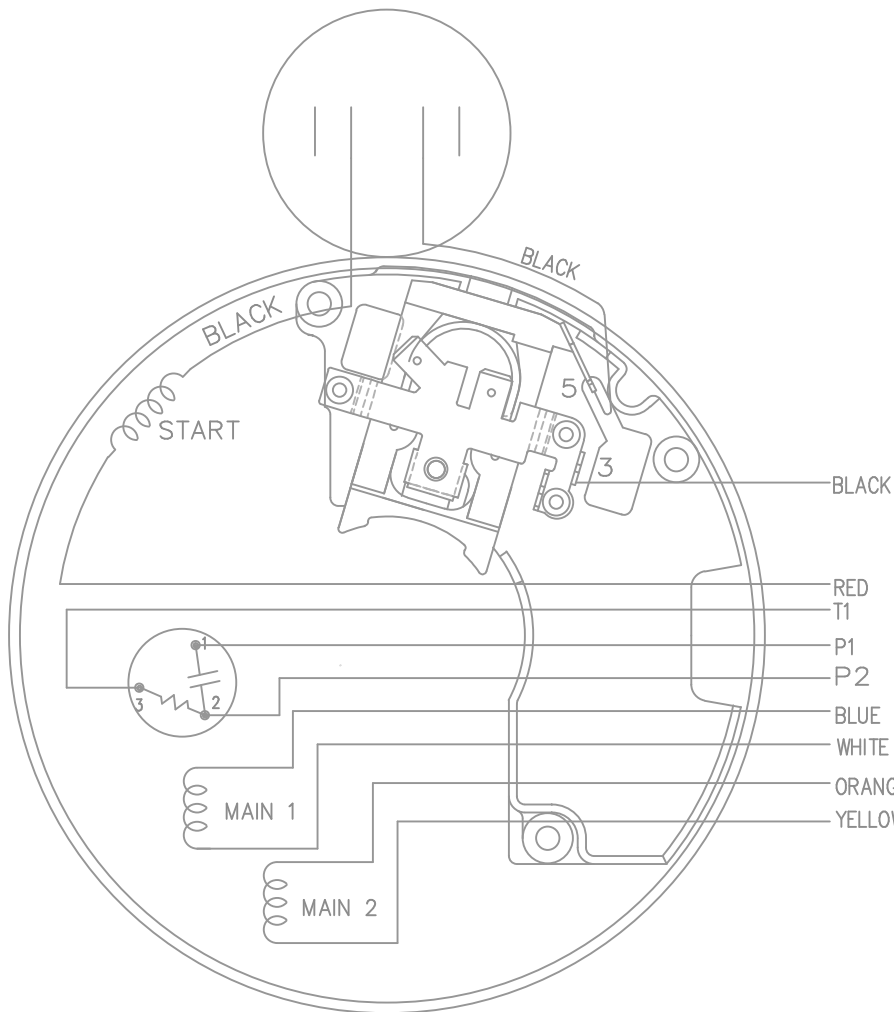
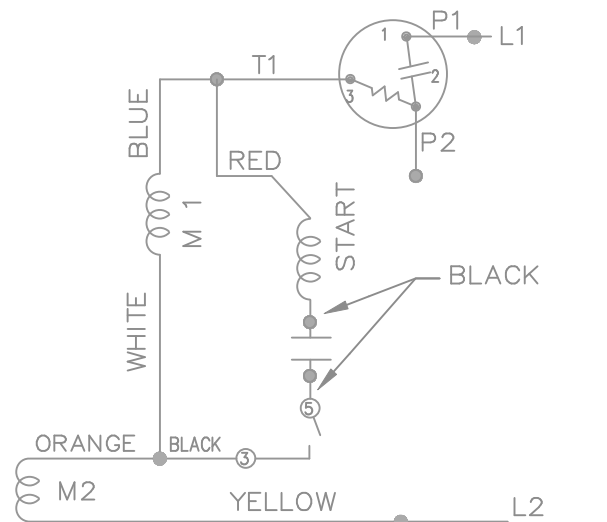
NOTES:
 1. CONDUIT BOX CAN BE ROTATED 180°.
 2. NAMEPLATE READ FROM CONDUIT BOX SIDE.

NO.	REVISION	BY & DATE	CHK	ANG	TOLERANCES UNLESS SPECIFIED		MARATHON ELECTRIC	DRAWN MRB 06-23-1998			
					DEC.	INCHES					
4	REMOVED "PLUGGED" FROM DRAIN HOLE	ISAAC 12-0555	WGJ	02-21-2012	DD	.X	±.1	CHK ML 07-06-1998			
3	REVISED DRAWING	RJW 04-03-2007		.XX		±.03	TITLE OUTLINE	APPD JMB 07-06-1998			
2	REDRAWN IN AUTOCAD	TAT 06-13-2005	ML	.XXX		±.005	56 FR. - TEFC - C' FACE	SCALE 5=16			
1	NEW DRAWING MU20295	MRB 07-06-1998		.XXXX		±.0005	MAT'L.	REF			
				±7'30"			FINISH	FMF			
THIS DRAWING IN DESIGN AND DETAIL IS OUR PROPERTY AND MUST NOT BE USED EXCEPT IN CONNECTION WITH OUR WORK ALL RIGHTS OF DESIGN AND INVENTION ARE RESERVED THIS IS AN ELECTRONICALLY GENERATED DOCUMENT - DO NOT SCALE THIS PRINT					RFP	CAD FILE 104462		SIZE A	DRAWING NO. 104462	PAGE OF	REV. 4
					DIST WP						

LOW VOLTAGE - CCW

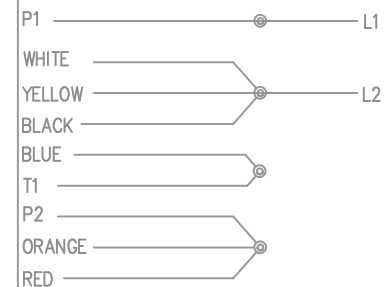


HIGH VOLTAGE - CCW

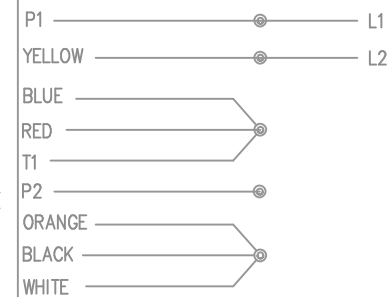


DUAL VOLTAGE
CAPACITOR START
OVERLOAD
SELECT ROTATION

LOW VOLT. CCW ROT.



HIGH VOLT. CCW ROT.



FOR CW ROTATION
EITHER VOLTAGE
INTERCHANGE RED
WITH BLACK

			TOLERANCES UNLESS SPECIFIED		MARATHON ELECTRIC	DRAWN BRH 02-29-1996					
			DEC.	INCHES		CHK	ML	03-06-1996			
			.X	±.1	TITLE CONNECTION DIAGRAM	APPD	GK	03-06-1996	SCALE	5=8	
6	REISSUE	BRH 03-13-1996	.XXX	±.005		REF					
5	REDRAWN ON CADD	BRH 03-06-1996	.XXXX	±.0005		MAT'L.	FMF				
NO.	REVISION	BY & DATE	CHK	ANG	FINISH <th>PREV <td colspan="4"></td> </th>	PREV <td colspan="4"></td>					
THIS DRAWING IN DESIGN AND DETAIL IS OUR PROPERTY AND MUST NOT BE USED EXCEPT IN CONNECTION WITH OUR WORK ALL RIGHTS OF DESIGN AND INVENTION ARE RESERVED THIS IS AN ELECTRONICALLY GENERATED DOCUMENT - DO NOT SCALE THIS PRINT			RFP	CAD FILE 102005-52		SIZE	DRAWING NO.	PAGE	OF	REV.	
9/27/2008 7:09:35 AM			DIST	WP	A		102005-52			6	

